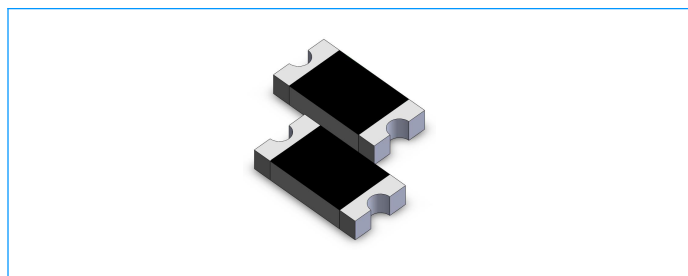


Surface Mount Resettable PTCs

SCF1206RB Series

Features

- ◆ RoHS Compliant & Halogen Free
- ◆ Faster tripping, 1206 Dimension, Surface mountable, Solid state
- ◆ Operation Current: 0.05A ~ 2.00A
- ◆ Maximum Voltage: 6V ~ 60Vdc
- ◆ Operating Temperature: -40°C ~ + 85°C



Electrical Parameters

Part Number	Hold Current	Trip Current	Rated Voltage	Max Current	Typical Power	Maximum Time To Trip		Resistance	
	I_{hold} (A)	I_{trip} (A)	V_{max} (Vdc)	I_{max} (A)	$P_{dtyp.}$ (W)	Current (A)	Time (Sec.)	R_{min} (Ω)	R_{1max} (Ω)
SCF005-1206RB	0.05	0.15	60.0	100	0.4	0.25	1.50	3.600	50.00
SCF010-1206RB	0.10	0.25	60.0	100	0.4	0.50	1.00	1.600	15.00
SCF012-1206RB	0.12	0.29	30.0	100	0.4	1.00	0.20	1.350	12.00
SCF016-1206RB	0.16	0.37	30.0	100	0.4	1.00	0.30	1.000	6.000
SCF020-1206RB	0.20	0.46	24.0	100	0.6	8.00	0.08	0.350	3.500
SCF020-30-1206RB	0.20	0.46	30.0	100	0.6	8.00	0.08	0.350	3.500
SCF025-24-1206RB	0.25	0.50	24.0	100	0.6	8.00	0.08	0.350	2.700
SCF025-1206RB	0.25	0.50	16.0	100	0.6	8.00	0.08	0.350	2.700
SCF030-1206RB	0.30	0.65	16.0	100	0.6	8.00	0.10	0.250	2.000
SCF035-1206RB	0.35	0.75	16.0	100	0.6	8.00	0.10	0.250	1.300
SCF035-24-1206RB	0.35	0.75	24.0	100	0.6	8.00	0.10	0.250	1.400
SCF035-30-1206RB	0.35	0.75	30.0	100	0.6	8.00	0.10	0.250	1.400
SCF050-1206RB	0.50	1.00	6.0	100	0.6	8.00	0.10	0.150	0.700
SCF050-13.2-1206RB	0.50	1.00	13.2	100	0.6	8.00	0.10	0.150	0.700
SCF050-16-1206RB	0.50	1.00	16.0	100	0.6	8.00	0.10	0.150	1.000
SCF050-24-1206RB	0.50	1.00	24.0	100	0.6	8.00	0.10	0.150	0.750
SCF075-1206RB	0.75	1.50	6.0	100	0.6	8.00	0.20	0.090	0.500
SCF075-13.2-1206RB	0.75	1.50	13.2	100	0.6	8.00	0.20	0.090	0.500
SCF075-16-1206RB	0.75	1.50	16.0	100	0.6	8.00	0.20	0.090	0.500
SCF100-1206RB	1.00	1.80	6.0	100	0.6	8.00	0.30	0.055	0.270
SCF100-13.2-1206RB	1.00	1.80	13.2	100	0.6	8.00	0.30	0.055	0.270
SCF110-1206RB	1.10	1.80	8.0	100	0.6	8.00	0.30	0.050	0.230
SCF110-16-1206RB	1.10	1.80	16	100	0.6	8.00	0.30	0.050	0.260

Surface Mount Resettable PTCs

SCF1206RB Series

Part Number	Hold Current	Trip Current	Rated Voltage	Max Current	Typical Power	Maximum Time To Trip		Resistance	
	I_{hold} (A)	I_{trip} (A)	V_{max} (Vdc)	I_{max} (A)	$P_{dtyp.}$ (W)	Current (A)	Time (Sec.)	R_{min} (Ω)	R_{1max} (Ω)
SCF150-1206RB	1.50	3.00	6.0	100	0.8	8.00	1.00	0.040	0.130
SCF150-12-1206RB	1.50	3.00	12.0	40	0.6	8.00	1.00	0.040	0.130
SCF200-1206RB	2.00	3.50	6.0	100	0.8	8.00	1.00	0.018	0.080

I_{hold} = Hold Current. Maximum current device will not trip in 25 °C still air.

I_{trip} = Trip Current. Minimum current at which the device will always trip in 25 °C still air.

V_{max} = Maximum operating voltage device can withstand without damage at rated current (I_{max}).

I_{max} = Maximum fault current device can withstand without damage at rated voltage (V_{max}).

$P_{dtyp.}$ = Maximum power dissipation when device is in the tripped state in 25 °C still air environment at rated voltage.

R_{min} = Minimum device resistance prior to tripping at 25 °C.

R_{1max} = Maximum device resistance is measured one hour post reflow.

Test Procedures and Requirements

Test Item	Test Conditions	Accept / Reject Criteria
Resistance	In still air @ 25 °C	$R_{min} \leq R \leq R_{1max}$
Time to Trip	Specified current, V_{max} , 25 °C	$T \leq$ Maximum Time to Trip
Holding Current	30min, at I_H	No trip
Trip Cycle Life	V_{max} , I_{max} , 100cycles	No arcing or burning
Trip Endurance	V_{max} , 1 hour	No arcing or burning

Physical Characteristics

Terminal Materials	Tin-Plated Nickle-copper
Soldering Zone	Meets EIA specification RS 186-9E and ANSI/J-STD-002 Category 3.

Environmental Specifications

Test Item	Test Conditions	Resistance Change
Passive Aging	85 °C, 1000 hours	$\pm 10\%$
Humidity Aging	85 °C/85%RH. 100 hours	$\pm 5\%$
Thermal Shock	MIL-STD-202, Method 107G +85 °C/-40 °C, 20 times	$\pm 33\%$ typical resistance change
Solvent Resistance	MIL-STD-202, Method 215	No change
Vibration	ML-STD-883C, Test Condition A	No change

Surface Mount Resettable PTCs

SCF1206RB Series

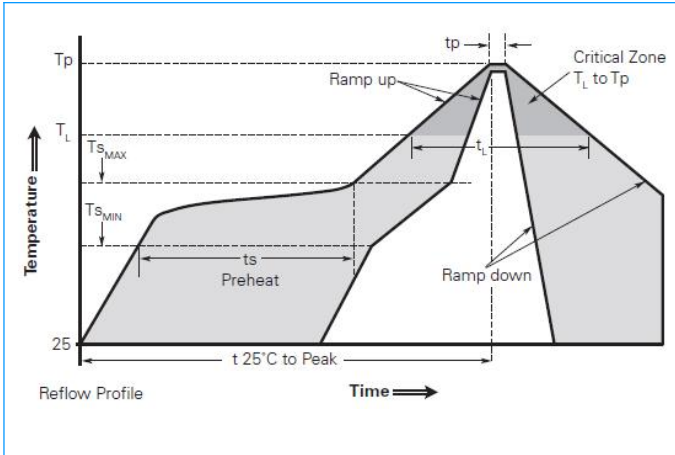
Thermal Derating Chart - IH (A)

Model	Maximum ambient operating temperature (°C)								
	-40	-20	0	25	40	50	60	70	85
SCF005-1206RB	0.09	0.08	0.06	0.05	0.04	0.036	0.033	0.029	0.02
SCF010-1206RB	0.18	0.16	0.12	0.10	0.08	0.072	0.066	0.058	0.04
SCF012-1206RB	0.216	0.192	0.144	0.120	0.096	0.086	0.079	0.070	0.048
SCF016-1206RB	0.288	0.256	0.192	0.160	0.128	0.115	0.106	0.093	0.064
SCF020-1206RB	0.31	0.26	0.22	0.20	0.18	0.16	0.15	0.13	0.07
SCF020-30-1206RB	0.31	0.26	0.22	0.20	0.18	0.16	0.15	0.13	0.07
SCF025-24-1206RB	0.37	0.33	0.29	0.25	0.22	0.20	0.17	0.15	0.12
SCF025-1206RB	0.37	0.33	0.29	0.25	0.22	0.20	0.17	0.15	0.12
SCF030-1206RB	0.444	0.396	0.348	0.30	0.264	0.24	0.204	0.18	0.144
SCF035-1206RB	0.50	0.45	0.40	0.35	0.30	0.27	0.24	0.21	0.15
SCF035-24-1206RB	0.50	0.45	0.40	0.35	0.30	0.27	0.24	0.21	0.15
SCF035-30-1206RB	0.50	0.45	0.40	0.35	0.30	0.27	0.24	0.21	0.15
SCF050-1206RB	0.71	0.64	0.57	0.50	0.42	0.39	0.35	0.31	0.25
SCF050-13.2-1206RB	0.71	0.64	0.57	0.50	0.42	0.39	0.35	0.31	0.25
SCF050-16-1206RB	0.71	0.64	0.57	0.50	0.42	0.39	0.35	0.31	0.25
SCF050-24-1206RB	0.639	0.576	0.513	0.50	0.378	0.351	0.315	0.279	0.225
SCF075-1206RB	1.14	1.01	0.88	0.75	0.65	0.59	0.54	0.49	0.41
SCF075-13.2-1206RB	1.14	1.01	0.88	0.75	0.65	0.59	0.54	0.49	0.41
SCF075-16-1206RB	1.14	1.01	0.88	0.75	0.65	0.59	0.54	0.49	0.41
SCF100-1206RB	1.45	1.31	1.15	1.00	0.84	0.77	0.69	0.61	0.48
SCF100-13.2-1206RB	1.305	1.179	1.035	1.00	0.756	0.693	0.621	0.549	0.432
SCF110-1206RB	1.595	1.441	1.265	1.10	0.924	0.847	0.759	0.671	0.528
SCF110-16-1206RB	1.595	1.441	1.265	1.10	0.924	0.847	0.759	0.671	0.528
SCF150-1206RB	2.18	1.94	1.72	1.50	1.28	1.17	1.06	0.96	0.77
SCF150-12-1206RB	2.18	1.94	1.72	1.50	1.28	1.17	1.06	0.96	0.77
SCF200-1206RB	2.60	2.44	2.35	2.00	1.78	1.67	1.50	1.45	1.10

Surface Mount Resettable PTCs

SCF1206RB Series

Soldering Parameters



Profile Feature	Pb-Free Assembly
Average Ramp-Up Rate (T_s max to T_p)	3°C/second max.
Preheat : Temperature Min (T_{smin}) Temperature Max (T_{smax}) Time (T_{smin} to T_{smax})	150°C 200°C 60-120 seconds
Time maintained above: Temperature(T_L) Time (T_L)	217°C 60-150 seconds
Peak/Classification Temperature(T_p)	260°C
Time within 5 °C of actual peak temperature: Time (T_p)	30 seconds max.
Ramp-down Rate	3°C/ second max.
Time 25°C to Peak Temperature	8 minutes max.

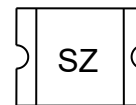
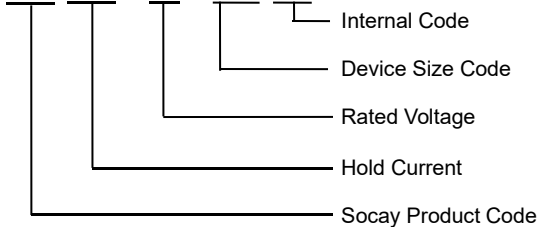
- Recommended reflow methods: I_R , vapor phase oven, hot air oven, N2 environment for lead-free.
- Devices are not designed to be wave soldered to the bottom side of the board.
- Recommended maximum paste thickness is 0.25mm (0.010inch).
- Devices can be cleaned using standard industry methods and solvents.
- Soldering temperature profile meets RoHS leadfree process.

Note 1: All temperature refer to topside of the package, measured on the package body surface.

Note 2: If reflow temperature exceed the recommended profile, devices may not meet the performance requirements.

Part Numbering

SCF XXX – XX – 1206 RB



Example

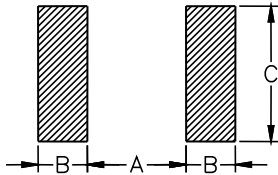
SZ= SCF005-1206RB	SG= SCF050-13.2-1206RB
SN= SCF010-1206RB	SG= SCF050-16-1206RB
SN=SCF012-1206RB	SG= SCF050-24-1206RB
SF= SCF016-1206RB	SA= SCF075-1206RB
SF= SCF020-1206RB	SA= SCF075-13.2-1206RB
SF= SCF020-30-1206RB	SA= SCF075-16-1206RB
SF= SCF025-1206RB	SH= SCF100-1206RB
SF= SCF025-24-1206RB	SH= SCF100-13.2-1206RB
SB= SCF030-1206RB	SH= SCF110-1206RB
SB= SCF035-1206RB	SH= SCF110-16-1206RB
SB= SCF035-24-1206RB	SI= SCF150-1206RB
SB= SCF035-30-1206RB	SI= SCF150-12-1206RB
SG= SCF050-1206RB	SK= SCF200-1206RB

Surface Mount Resettable PTCs

SCF1206RB Series

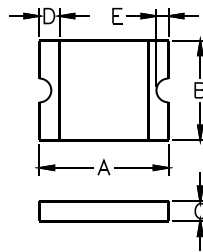
Recommended Solder Pad Layout Dimensions (Unit: mm)

The dimension in the table below provide the recommended pad layout for each SCF1206RB Series device



Device	A	B	C
1206 Series	2.0±0.1	1.0±0.1	1.9±0.1

Product Dimensions (Unit: mm)



Part Number	A		B		C		D	E
	Min.	Max.	Min.	Max.	Min.	Max.	Min.	Min.
SCF005-1206RB	3.00	3.50	1.50	1.80	0.60	1.10	0.15	0.10
SCF010-1206RB	3.00	3.50	1.50	1.80	0.60	1.10	0.15	0.10
SCF012-1206RB	3.00	3.50	1.50	1.80	0.60	1.10	0.15	0.10
SCF016-1206RB	3.00	3.50	1.50	1.80	0.40	0.90	0.15	0.10
SCF020-1206RB	3.00	3.50	1.50	1.80	0.40	0.90	0.15	0.10
SCF020-30-1206RB	3.00	3.50	1.50	1.80	0.40	0.90	0.15	0.10
SCF025-24-1206RB	3.00	3.50	1.50	1.80	0.40	0.90	0.15	0.10
SCF025-1206RB	3.00	3.50	1.50	1.80	0.40	0.90	0.15	0.10
SCF030-1206RB	3.00	3.50	1.50	1.80	0.40	0.90	0.15	0.10
SCF035-1206RB	3.00	3.50	1.50	1.80	0.40	0.90	0.15	0.10
SCF035-24-1206RB	3.00	3.50	1.50	1.80	0.40	0.90	0.15	0.10
SCF035-30-1206RB	3.00	3.50	1.50	1.80	0.50	1.20	0.15	0.10
SCF050-1206RB	3.00	3.50	1.50	1.80	0.35	0.85	0.15	0.10
SCF050-13.2-1206RB	3.00	3.50	1.50	1.80	0.35	0.85	0.15	0.10
SCF050-16-1206RB	3.00	3.50	1.50	1.80	0.35	0.85	0.15	0.10
SCF050-24-1206RB	3.00	3.50	1.50	1.80	0.35	0.85	0.15	0.10
SCF075-1206RB	3.00	3.50	1.50	1.80	0.35	0.85	0.15	0.10
SCF075-13.2-1206RB	3.00	3.50	1.50	1.80	0.35	0.85	0.15	0.10

Surface Mount Resettable PTCs

SCF1206RB Series

Product Dimensions (Unit: mm) (Continue)

Part Number	A		B		C		D	E
	Min.	Max.	Min.	Max.	Min.	Max.	Min.	Min.
SCF075-16-1206RB	3.00	3.50	1.50	1.80	0.60	1.30	0.15	0.10
SCF100-1206RB	3.00	3.50	1.50	1.80	0.40	0.80	0.15	0.10
SCF100-13.2-1206RB	3.00	3.50	1.50	1.80	0.40	1.30	0.15	0.10
SCF110-1206RB	3.00	3.50	1.50	1.80	0.40	0.80	0.15	0.10
SCF110-16-1206RB	3.00	3.50	1.50	1.80	0.60	1.30	0.15	0.10
SCF150-1206RB	3.00	3.50	1.50	1.80	0.60	1.50	0.15	0.10
SCF150-12-1206RB	3.00	3.50	1.50	1.80	0.80	1.80	0.15	0.10
SCF200-1206RB	3.00	3.50	1.50	1.80	0.70	1.50	0.15	0.10

Packaging Quantity

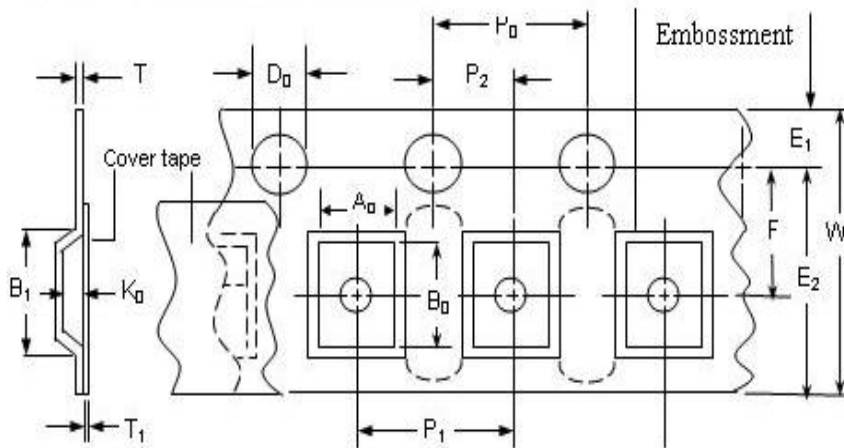
Part Number	Quantity	Part Number	Quantity
SCF005-1206RB	3500 PCS	SCF050-24-1206RB	3500 PCS
SCF010-1206RB	3500 PCS	SCF075-1206RB	5000 PCS
SCF012-1206RB	3500 PCS	SCF075-13.2-1206RB	5000 PCS
SCF016-1206RB	5000 PCS	SCF075-16-1206RB	3500 PCS
SCF020-1206RB	5000 PCS	SCF100-1206RB	5000 PCS
SCF020-30-1206RB	5000 PCS	SCF100-13.2-1206RB	3500 PCS
SCF025-1206RB	5000 PCS	SCF110-1206RB	5000 PCS
SCF025-24-1206RB	5000 PCS	SCF110-16-1206RB	5000 PCS
SCF030-1206RB	5000 PCS	SCF150-1206RB	3500 PCS
SCF035-1206RB	5000 PCS	SCF150-12-1206RB	3500 PCS
SCF035-24-1206RB	5000 PCS	SCF200-1206RB	3500 PCS
SCF035-30-1206RB	3500 PCS	--	--
SCF050-1206RB	5000 PCS	--	--
SCF050-13.2-1206RB	5000 PCS	--	--
SCF050-16-1206RB	5000 PCS	--	--

Surface Mount Resettable PTCs

SCF1206RB Series

Tape Specifications (Unit: mm)

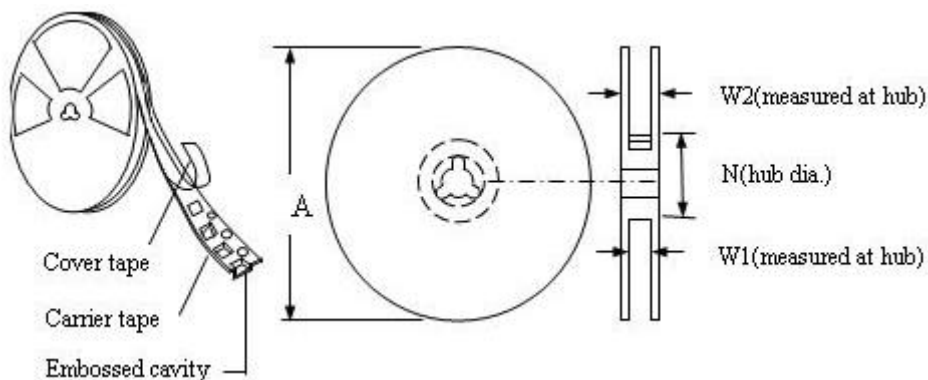
EIA Tape Component Dimensions



Symbol	Dimensions
W	8.15+0.15/-0.30
P₀	4.00±0.10
P₁	4.00±0.10
P₂	2.00±0.05
A₀	1.95±0.10
B₀	3.56±0.10
D₀	1.55±0.05
F	3.50±0.05
E₁	1.75±0.10
T	0.20±0.10
Leader min.	390
Trailer min.	160

Reel Specifications (Unit: mm)

Reel Dimensions



Symbol	Dimensions
A	178±1.0
N	59±1.0
W1	8.5+1.0/-0.2
W2	12.0±1.0

Warning



- ◆ Operation beyond the specified maximum ratings or improper use may result in damage and possible electrical arcing and/or flame.
- ◆ PPTC device are intended for occasional over-current protection. Application for repeated over-current condition and/or prolonged trip are not anticipated.
- ◆ Avoid contact of PPTC device with chemical solvent. Prolonged contact will damage the device performance.